

Drawing



Tools for Chefs

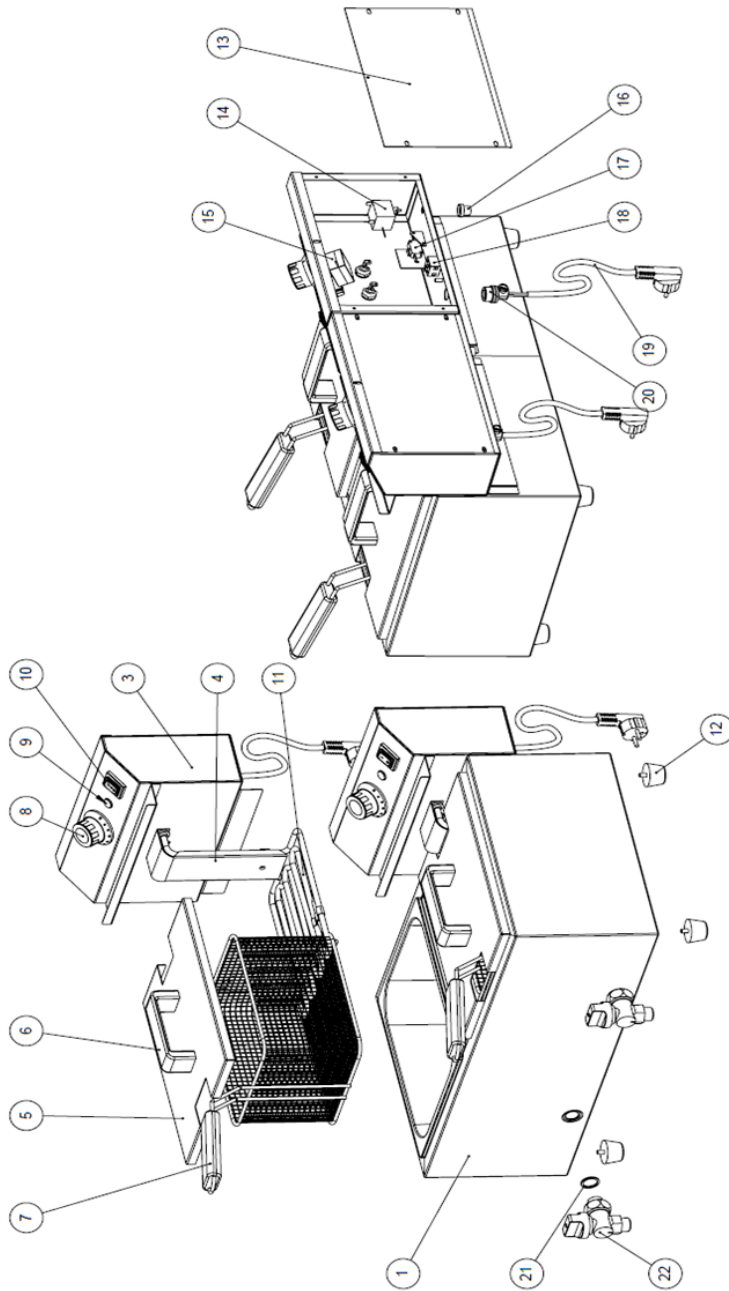
Hendi B.V.
Steenoven 21
3911 TX Rhenen
The Netherlands

Batch #
HK080020 and
up


Appliance part#
209301

Description
Deepfryer Mastercoor 2X8L with faucet

Date	30-04-2021	Revision #	1.2
Revision	Updated control panel and circuit diagram.		



Bill of materials (BOM)

 HENDI Tools for Chefs Hendi B.V. Steenoven 21 3911 TX Rhenen The Netherlands	Batch #	Appliance part#
	HK080020 and up	209301
	Description	
Deepfryer Mastercoor 2X8L with faucet		


Date	30-04-2021	Revision #	1.2
Revision	Updated control panel and circuit diagram.		

Item	Description	Part#	Quantity	Remark	Picture
1	Frame	n/a	1		
2	Fryer bassin	n/a	2		
3	Fryer head (complete assembly)	932308	2	Incl item 8,9,10,11,13 until 20	
4	Heat shield	nss	2	Available as 932308	
5	Lid	934869	2	Incl item 6	
6	Handle	nss	2	Available as 934869	
7	Fryer basket	933664	2		
8	Knob	934852	2		
9	Indicator light	930533	2	Also in 932308	
10	Switch	205426	2	Also in 932308	
11	Element	941379	2	Also in 932308	
12	Feet	934876	4		
13	Back cover	nss	2	Available as 932308	
14	Hi-Limiter	930595	2	Also in 932308	
15	Thermostat	930557	2	Also in 932308	
16	Cover Hi-Limiter	nss	2	Available as 930595 and 932308	
17	Microswitch	207093	2	Also in 932308	
18	Terminal	930540	2	Also in 932308	
19	Power cord	912027	2	Also in 932308	
20	Pull relief	912201	2	Also in 932308	
21	Gasket silicone	931042	2		
22	Faucet	251515	2		

n/a -> not available

nss -> not sold separately

Circuit diagram

 HENDI Tools for Chefs Hendi B.V. Steenoven 21 3911 TX Rhenen The Netherlands	Batch #	Appliance part#
	HK080020 and up	209301
	Description Deepfryer Mastercoor 2X8L with faucet	

Date	30-04-2021	Revision #	1.2
Revision	Updated control panel and circuit diagram.		

